

MAC[®]

TRANSPORTATION

Solutions

V A L V E S



MAC

V A L V E S

MAC'S ADVANTAGE

RELIABILITY = NON STICKING

MAC Valves Inc. is a global leader in air valve solutions for the transportation industry. Reliability is an inherent benefit of MAC's product design. MAC valves are optimized to perform reliably in the harsh operating conditions associated with the transportation industry.

DESIGN FEATURES = PERFORMANCE BENEFITS

- **Balanced Design** ————— ● *Unaffected by fluctuations in air pressure*
- **Wiping Action** ————— ● *Virtually unaffected by typically contaminated air*
- **Minimal Friction** ————— ● *Minimizes resistance to shifting forces*
- **High Shifting Forces** ————— ● *High Speed & Repeatability*



INDUSTRY SPECIFIC MODIFICATIONS

- Wide Temperature Seals
- Washdown Rated Components
- Plug-in Electrical Connections
- Anti-Vibration
- Custom Circuit Manifolds
- Wide Voltage Range / Surge Protection
- Combined Electrical and Manual Operators



Valves That Don't StickSM

TRANSPORTATION SOLUTIONS



MOBILE EQUIPMENT & REFUSE

Solutions for:

- Suspension / Air Bag
- Lift Axle (Pusher & Tag)
- Tailgate Latch
- Belly Dumps
- Hydraulic Valve Pilot



CONCRETE MIXERS & BATCH PLANTS

Solutions for:

- Charge Hopper
- Chute Lock
- Fan Clutch
- Water Tank Pressure
- Volumetric Mixer
- Dosing



BUSES & COACH

Solutions for:

- Brake / Door Interlock
- Door Open / Close
- Kneeling Systems



RAILROAD & SUBWAY

Solutions for:

- Compressor Controls
- Sanding Systems
- Air Horns
- Couplers
- Door Open / Close



[®]
MAC

V A L V E S

THINK GLOBAL ACT LOCAL

Our global distribution network is keeping your machines running around the clock around the world



MAC VALVES, INC.
P.O. BOX 111
30569 BECK ROAD
WIXOM, MI 48393-7011

TEL: 1-800-MAC VLVS
TEL: 1 (248) 624-7700
FAX: 1 (248) 624-0549
www.macvalves.com
mac@macvalves.com



MAC VALVES EUROPE, INC.
RUE MARIE CURIE, 12
B- 4431 ANS (LIEGE)
BELGIUM

TEL: 32 (4) 239 68 68
FAX: 32 (4) 263 19 42
info@macvalves.be



MAC VALVES ASIA, INC.
NO. 45, DONGYUAN ROAD
JHONGLI CITY, TAOYUAN COUNTY
TAIWAN

TEL: 886 (3) 463-6868
FAX: 886 (3) 463-4576
mva@macasia.com.tw



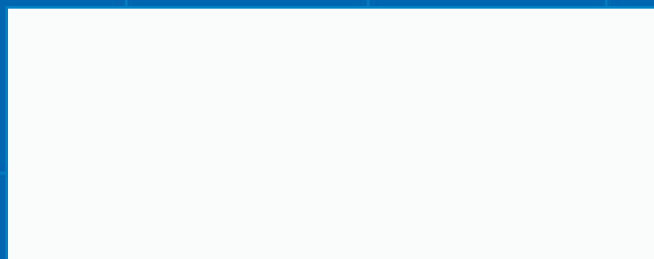
MAC VALVES, INC.
5555 ANN ARBOR ROAD
DUNDEE, MI 48131

TEL: 1 (734) 529-5099
FAX: 1 (248) 863-2959



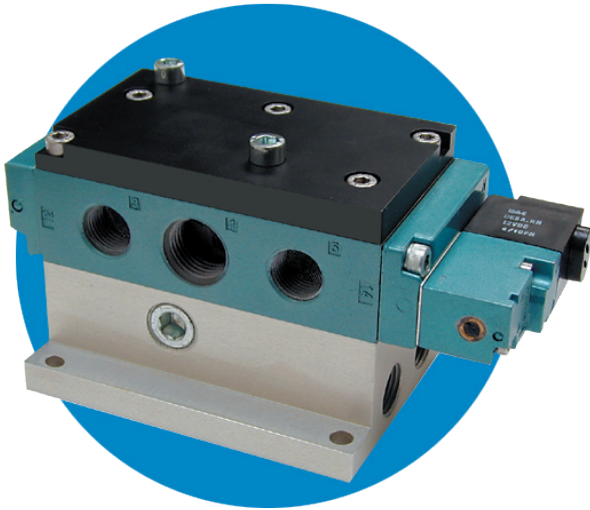
MAC VALVES PACIFIC, INC.
P.O. BOX 12221
PENROSE, AUCKLAND
NEW ZEALAND

TEL: 64 (9) 634-9400
FAX: 64 (9) 634-9401
www.macvalves.co.nz
sales@macvalves.co.nz





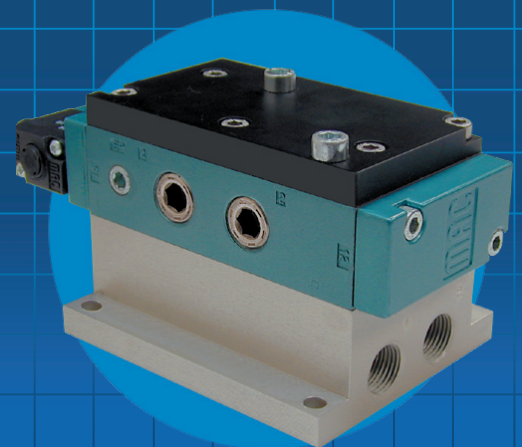
LIFT AXLE VALVE



- Can Be Mounted Directly to the Truck / Trailer Axle
- Designed to Quickly & Accurately Fill & Exhaust Bellows
- Eliminates the Need for External Quick Exhaust Valves
- Optimized for Reliable Performance in Harsh Environmental Conditions

Design Features = Performance Benefits

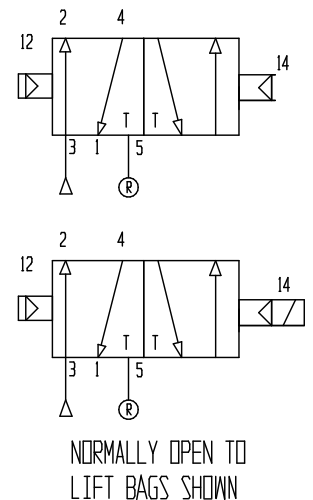
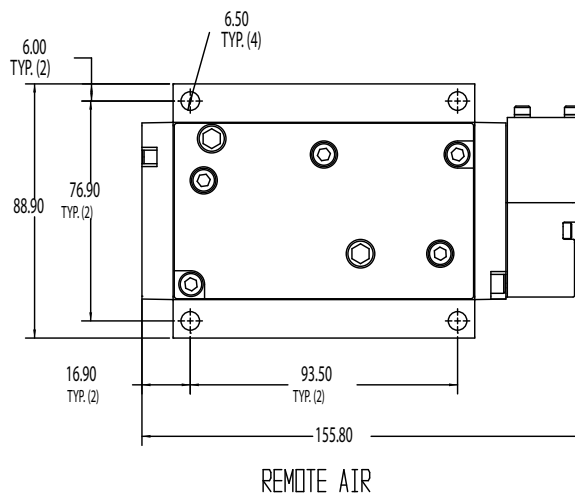
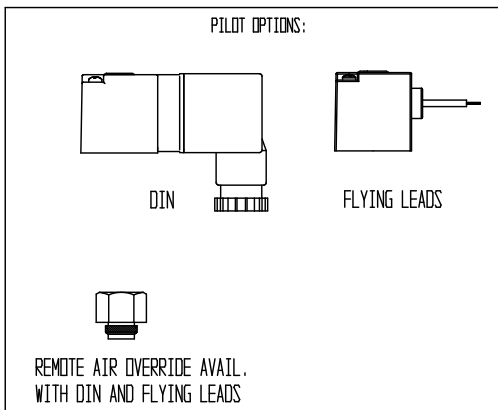
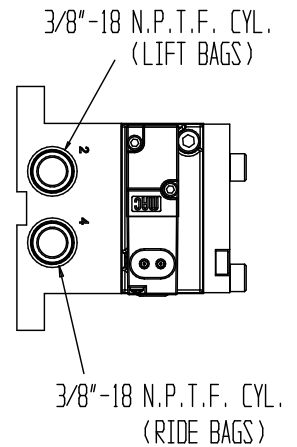
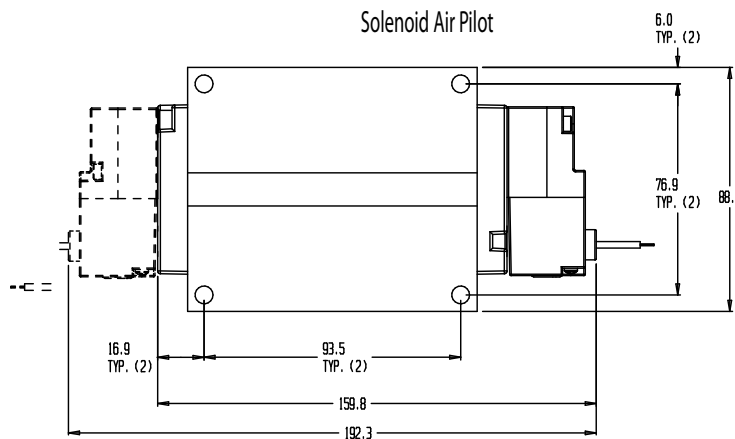
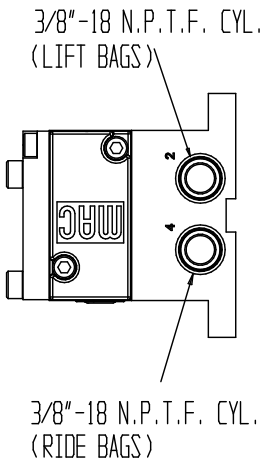
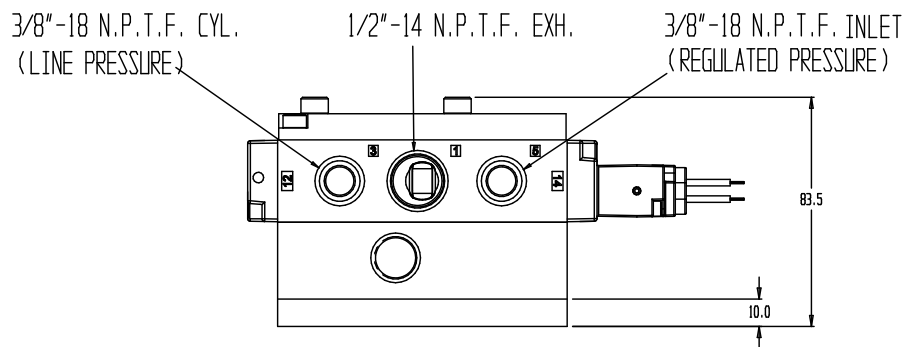
- High Flow Design (2.5 Cv) – Quickly and Accurately Raises and Lowers Axle – No Quick Exhausts Required
- Wide Temp. Seals - Wide Operational Temperature Range -- -25°C to +80°C
- Reduced Bracketing / Less Fittings / Less Tubing Connections - Reduced Labor and Improved Serviceability
- Dual Pressure Valve - Improved Regulator Life
- High Flow/Redundant Cylinder Ports - Simplified Plumbing
- Solenoid or Remote Air Operators
- 50 - 120 PSI Main Inlet, 70 - 120 PSI R.A. Signal



Industry Specific Modifications

- Corrosive Resistant Components
 - Hard-Coat Anodized Aluminum
 - Stainless Fasteners
 - Salt Spray Resistant Paint
 - Stainless Filter Screens In Porting
 - NEMA 4

- Environmentally Sealed Electrical & Remote Air Operators
 - 18awg Teflon Coated Flying Leads
 - DIN Style (Lights and Spike Suppression Optional) with Molded Cord Sets



MAC

V A L V E S

TRANSPORTATION SOLUTIONS



55B-11-RA=8277
55 Series for Relay and
Quick Exhaust
Applications



163B-601CA=XMFP
100 Series Panel
Mounted Solenoid/Lever



180001-212-0003=8322
18000 Series Lift Axle
Remote Air with Air Spring
Return Dual Pressure



811C-PP-604CA-152=LA06
800 Series Lift Axle
Solenoid Operated with Special Override
Single Pressure



811C-PP-611CA-152= 5385
800 Series Dual Pressure, Lift
Axle Solenoid/ Pull Turn
In-line



Valves That Don't StickSM



Highest Flowing Valves in the Industry

Transportation Valve Features:

- Hard Coat Anodized Body and End Caps
- Stainless Steel Screws
- Loctite on Screws for Vibration
- Washdown
- Wide Temperature Seals for -25 degrees C to 80 degrees C
- Stainless Steel Filter Screens in Ports



93A-CM1-BOJ-DP-DESA-OBA=LA01
93 Series Solenoid Operated Lift Axle on Port Block (NC) Designed to Mount on the Axle



93A-CMO-BOJ-DP-DESA-4BA=LA07
93 Series Operated Lift Axle Inline LA03 With Special Override (NC) Dual Pressure



180001-112-0027=7747
1800 Series HD Lever Single Pressure for Tailgate Lock



93A-CL1-BOJ-DP-RA11=LA02
93 Series Remote Air Lift Axle on Port Block ((NO) Designed to Mount on the Axle

